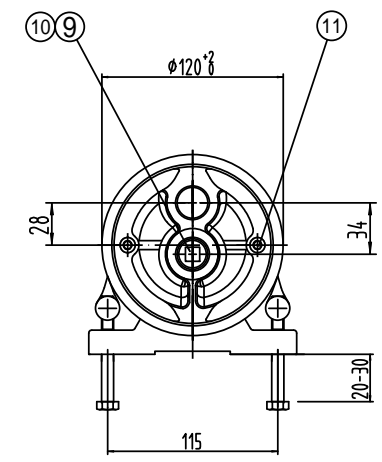
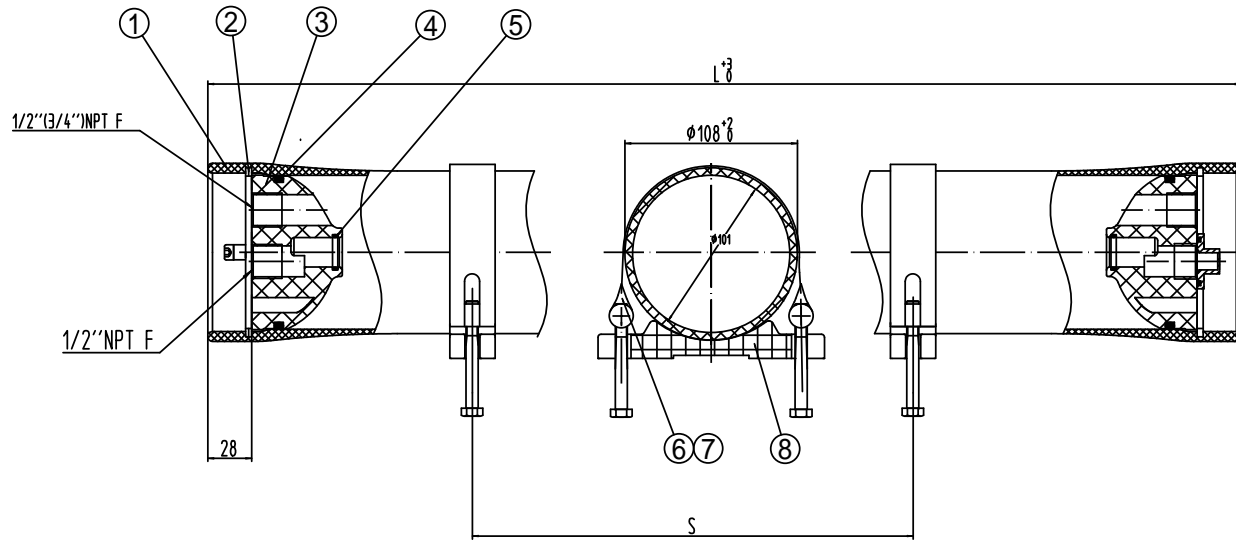


300PSI



Note:

1. Design pressure: 300PSI(21Bar)
2. Design temperature: 150°F(66°C)
3. Minimum temperature: 14°F(-10°C)
4. Working medium: Water,PH 3-11
5. Please operate in accordance with User Guide
6. Flexible piping should be used on permeate connection to manifold
7. Subject to change without prior notice

Ref.	Part Number	L (MM)	S (MM)	Approx assembly weight (KG)
1	F4030E-1	1140	600	6
2	F4030E-2	2156	1200	9
3	F4030E-3	3172	2200	12
4	F4030E-4	4268	1600x2	15
5	F4030E-5	5284	2300x2	18
6	F4030E-6	6300	2700x2	21
7	F4030E-7	7316	3100x2	24

11	Locking Crescent Screw	F40L-88-01	4	304SST	M6*14
10	O-Ring	F40L-53-01	4	EPDM	23.6*3.55
9	Plug	F40L-04-01	1	ABS	
8	Saddle	F40L-03-01	2~3	Rubber	
7	Strap Screw	F40L-83-01	4~6	304SST	M8*70
6	Strap	F40L-02-01	2~3	304SST-Rubber	
5	O-Ring	F40L-59-01	2	EPDM	19*2.65
4	O-Ring	F40L-58-01	2	EPDM	90*5.3
3	End Plate	F40L-01-02	2	ABS	
		F40L-01-01			
2	Locking Crescent	F40L-94-01	4	304SST	
1	Pressure Shell	See Selection Table	1	Epoxy FRP	White
Ref.	Description	Part Number	Qty.	Material	Remark

Harbin FirstLine Environment Technology Co.,Ltd.

First Line	Design Date	Model F40-300E Pressure Vessel	
	Review Date	DRG F40-30-E-00-01	
	Approval Date	Unit mm	REV. 2016