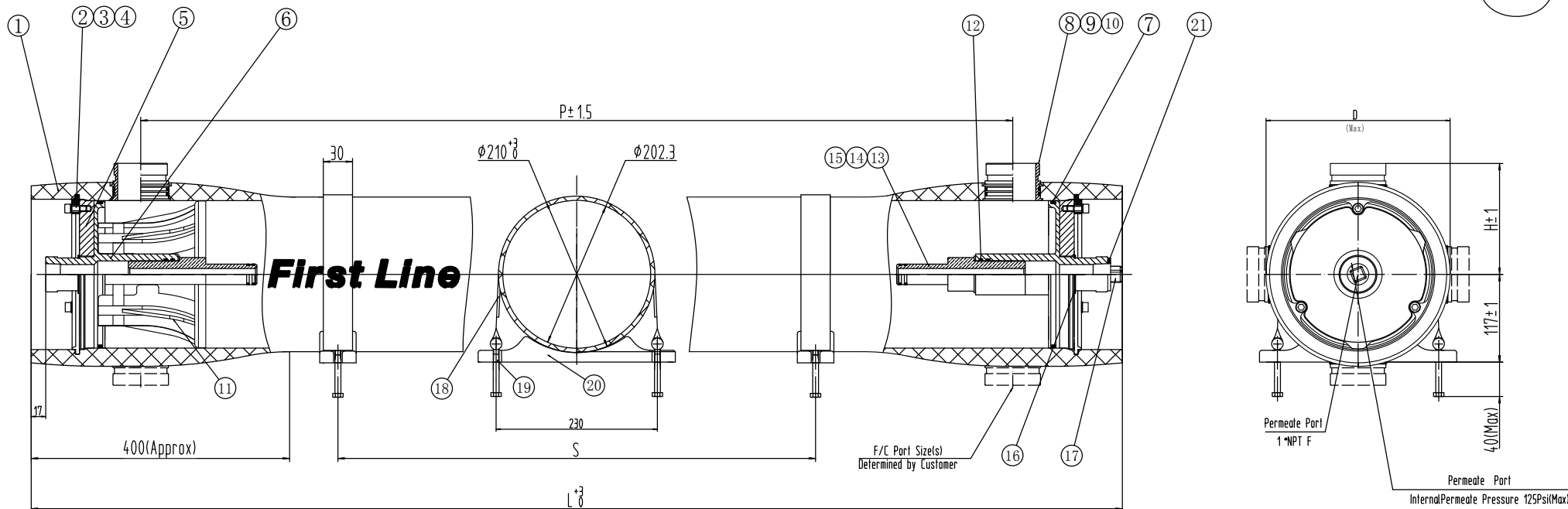


300PSI



Note:

1. Design pressure: 300PSI(21Bar)
2. Design temperature: 150° F(66° C)
3. Minimum temperature: 14° F(-10° C)
4. Working medium: Water, PH 3-11
5. Please operate in accordance with User Guide
6. Flexible piping should be used on permeate connection to mainfold
7. Side port misalignment can not exceed 0.7mm in any direction
9. Subject to change without prior notice

21	O-Ring	F80L-52-01	1	EPDM	36.5x3.55
20	Saddle	F80L-16-01	2-3	Rubber	
19	Strap Screw	F80L-82-01	4-6	304SST	M8*90
18	Strap	F80L-17-01	2-3	304SST-Rubber	
17	Plug	F80L-14-01	1	ABS	
16	Retaining Ring	F80L-91-01	2	304SST	
15	O-Ring	F80L-53-01	4	EPDM	23.6x2.65
14	Adapler	F80L-11-01	2	ABS	
13	Adapter Pad	F80L-15-01	2-6	ABS	
12	O-Ring	F80L-52-01	4	EPDM	36.5x3.55
11	Thrust Ring	F80L-08-02	1	ABS	
10	O-Ring	See SelectionTable	2-8	EPDM	
9	Retaining Ring	See SelectionTable	2-8	304SST	
8	Feed/Conc. Port	See SelectionTable	2-8	316LSST	
7	O-Ring	F80L-51-01	2	EPDM	190x5.3
6	Sealing Plate	F80L-10-01	2	ABS	
5	Bearing Plate	F80L-09-01	2	Aluminium Alloy	
4	Locking Kit Segment	F80L-03-01	6	304SST	
3	Spring Pad	F80L-02-01	6	304SST	φ8
2	Locking Segment Screw	F80L-81-01	6	304SST	M8x20
1	Pressure Shell	See SelectionTable	1	Epoxy FRP	White
Ref.	Description	Part Number	Qty.	Material	Remark

Description	Part Number	Size	D (MM)	H (MM)	Remark
Feed/Conc.Port	F80L-04-01	1.5"	241	148	
	F80L-05-01	2"	244	151	
	F80L-06-02	2.5"	248	153	
O-Ring	F80L-54-01	1.5"		42.5x2.65	
	F80L-55-01	2"		54.5x2.65	
	F80L-56-01	2.5"		69x3.55	
Retaining Ring	F80L-91-01	1.5"			
	F80L-92-01	2"			
	F80L-93-01	2.5"			

Ref.	Part Number	L (MM)	P (MM)	S (MM)	Approx assembly weight (KG)
1	F8030S-1	1494	1194	700	28
2	F8030S-2	2510	2210	1460	34.5
3	F8030S-3	3526	3226	2080	41
4	F8030S-4	4542	4242	1600x2	47.5
5	F8030S-5	5558	5258	2000x2	54
6	F8030S-6	6574	6274	2360x2	60.5
7	F8030S-7	7590	7290	2860x2	67

Harbin FirstLine Environment Technology Co.,Ltd.

First Line	Design Date	Model	F80-300S Pressure Vessel
	Review Date	DRG	F80-30-S-00-01
	Approval Date	Unit	mm